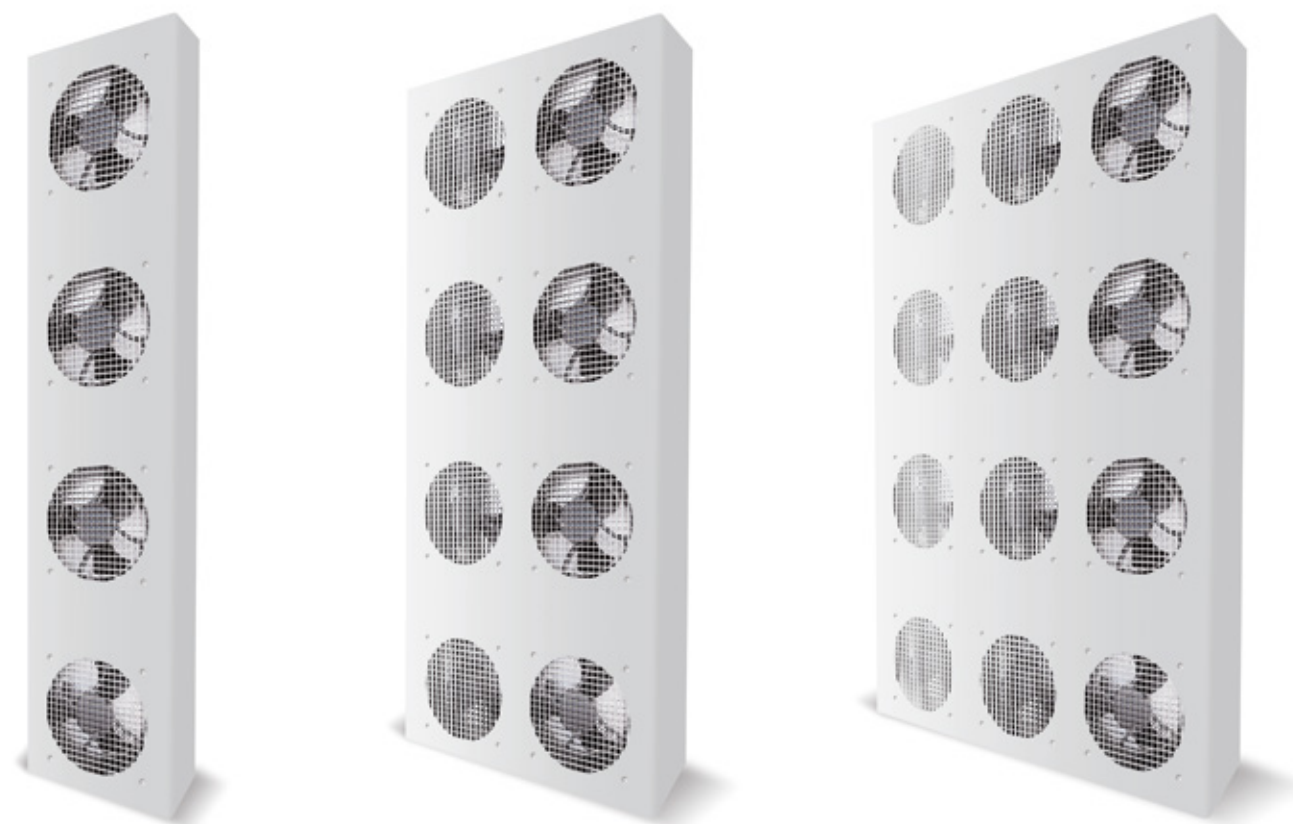


COMFORT PLUS

ultra-versatile fans

COMFORT PLUS

ultra-versatile fans



**2-YEAR
Warranty**

**Ensure
comfort for
customers
and staff**

**Guaranteed
performance**



H4CP

H8CP

H12CP

Model	H4CP
CFM	428
Dimensions	
Height	36 in.
Width	8 in.
Depth	3 in.
Voltage	120V / 60Hz / 0.75A
Power	72 W

Model	H8CP
CFM	856
Dimensions	
Height	36 in.
Width	12 in.
Depth	5 in.
Voltage	120V / 60Hz / 1.5A
Power	144 W

Model	H12CP
CFM	1284
Dimensions	
Height	36 in.
Width	21 in.
Depth	5 in.
Voltage	120V / 60Hz / 2.25A
Power	216 W

IAC: Inside with 6-foot electrical cord with three-way plug

COMFORT PLUS ultra-versatile fans are simple and economical. They can be used to design multiple heating and heat-recovery systems, adapted to each building. They ensure comfort for customers and staff by recovering and redirecting the warm air that naturally accumulates at the ceiling.

Applications :

ANYWHERE AMBIENT AIR IS TOO COLD:
Supermarkets, warehouses, receiving docks, retail surfaces, storage areas, etc.

Benefits :

- › Reduce heating costs
- › Quiet and efficient
- › Easy to clean
- › Optimizing heat distribution throughout a building
- › Simple and versatile installation
- › Ask us how the ultra-versatile **COMFORT PLUS** fans can solve your problems and reduce your heating costs
- › Reduce relative humidity
- › Perfectly adapt to all commercial and industrial environments

www.smartref.com

sdube@smartref.com
1341 Principale Street
St-Zotique, Quebec J0P 1Z0

T : 450 267.3773
Cell. : 514 891.7283
Fax : 450 267.8373



www.smartref.com

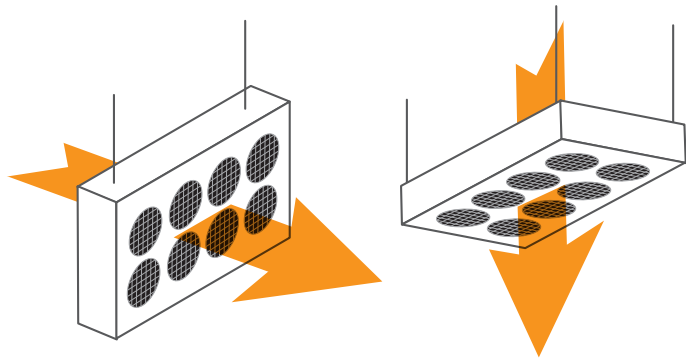
T : 450 267.3773
Cell. : 514 891.7283
Fax : 450 267.8373
sdube@smartref.com
1341 Principale Street
St-Zotique, Quebec J0P 1Z0



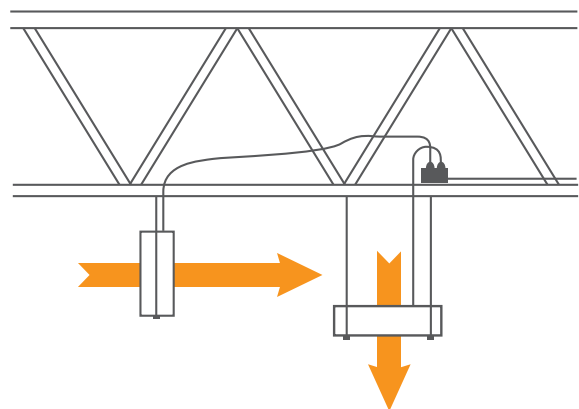
Build your own **HEAT-RECOVERY SYSTEM**

HANGING

HORIZONTAL or VERTICAL USES

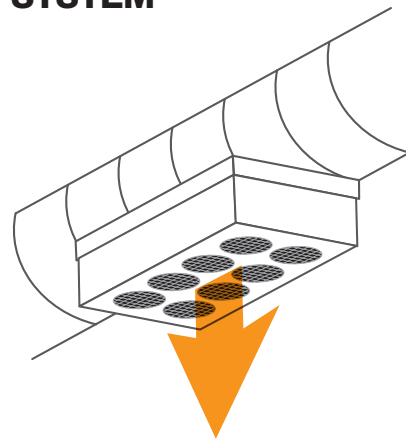


REDIRECTS WARM AIR WHERE MOST NEEDED



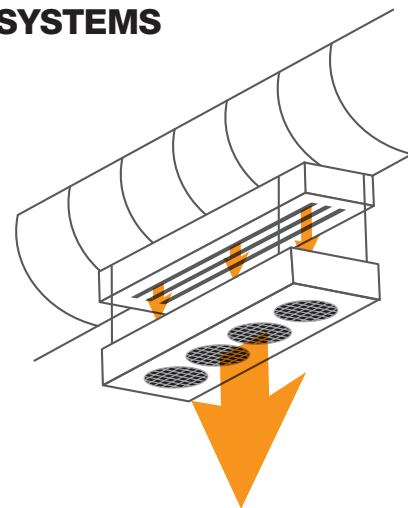
RETROFIT

OF AN EXISTING SYSTEM



BOOSTER

FOR EXISTING SYSTEMS



WARMS AND DEHUMIDIFIES COLD AIR COMING IN FROM OUTSIDE

BY USING THE WARM, DRY AIR THAT NATURALLY ACCUMULATES NEAR THE CEILING



KEEPS
STAFF AND CUSTOMERS
COMFORTABLE