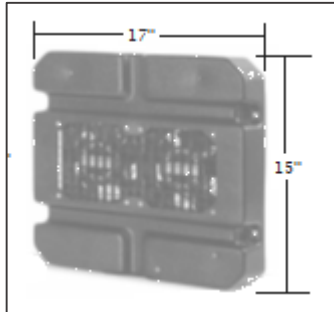


Model
COMFORT PLUS SERIES

RV-1000B



PROPERTIES

- Rated Voltage : 120VAC 60Hz
- Motor Protection : Impedance protected
- Rated speed : 3260 RPM
- Rated Power : 54 Watts
- Noise level
 - Noise increase
 - Distance of ventilator (18 ft) : 5.4 dB(A)
 - Distance of ventilator (24 ft) : 0.3 dB(A)
 - Background noise : 63.6 dB(A)
- Operating Temperature : -8 to + 65 °C
- Approval : UL/CUR/CE
- Air Flow : 670 CFM
- Static Pressure : 0.85 Inch-H2O
- Maximal Height : 40 feet
- Coverage : 1000 sq. Feet

HOUSING

- Fire retardant plastic – Black

WARRANTY

- 5 years full manufacturer replacement from date of the purchase

ACCESSORIES

- Speed controller 10 Amps