

PROPERTIES

Rated Voltage : 120VAC 60Hz
 Rated Power : 36 Watts
 Operating Temperature : -8 to + 65 °C
 Approval : UL/CUR/CE
 Air Flow : 214 CFM
 Static Pressure : 0.34 Inch-H2O
 Maximal Height : 20 feet
 Maximal coverage : 400 sq. Feet

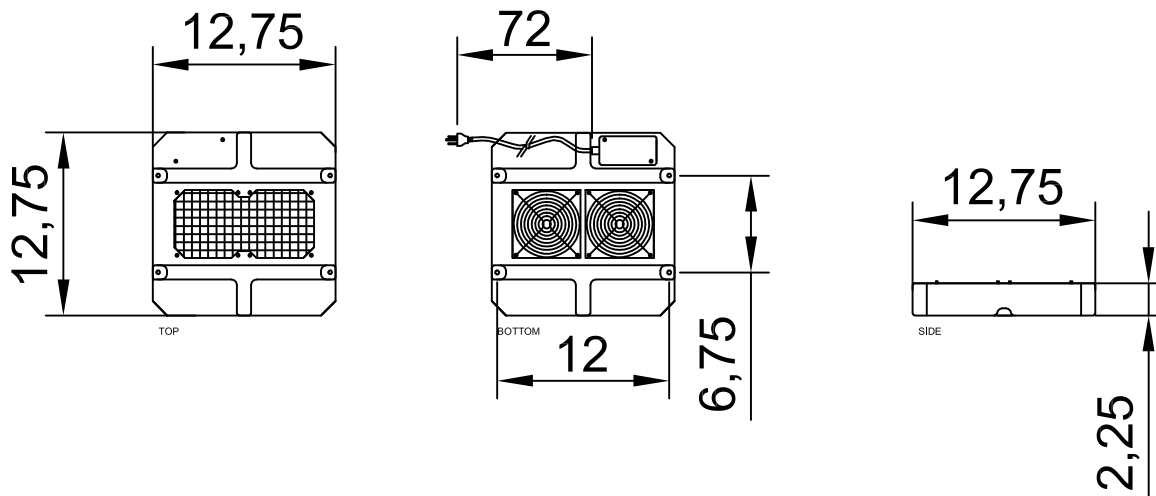


HOUSING

Fire retardant plastic – Black Color

WARRANTY

5 years full manufacturer replacement
 from date of the purchase



Conforms to UL 507
 Certify to CSA C22.2 no 113

NOTE: ALL DIMENSIONS SHOWN ARE IN INCH

| NOTES | QTY. | DETAILS |
|-------|------|--|
| | | DATE: PROJECT: LOCATION: CONTRACTOR: OTHERS: |