

PROPERTIES

Rated Voltage : 120VAC 60Hz
 Rated Power : 54 Watts
 Operating Temperature : -8 to + 65 °C
 Approval : UL/CUR/CE
 Air Flow : 670 CFM
 Static Pressure : 0.85 Inch-H2O
 Maximal Height : 40 feet
 Maximal coverage : 1000 sq. Feet

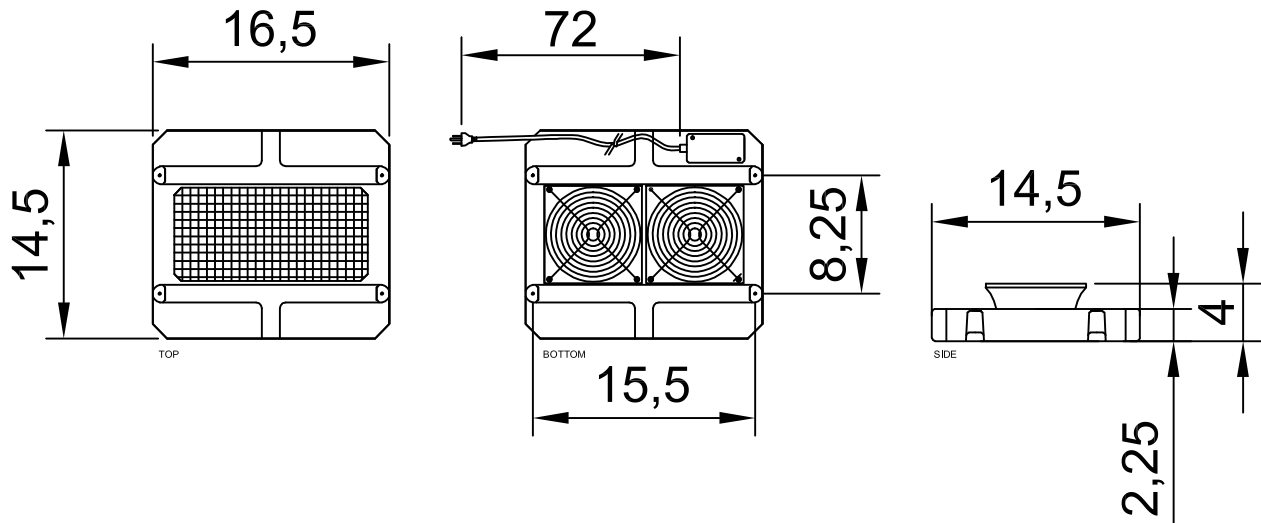


HOUSING

Fire retardant plastic – Black Color

WARRANTY

5 years full manufacturer replacement
 from date of the purchase



Conforms to UL 507
 Certify to CSA C22.2 no 113

NOTE: ALL DIMENSIONS SHOWN ARE IN INCH

NOTES	QTY.	DETAILS
		DATE: PROJECT: LOCATION: CONTRACTOR: OTHERS: