

PROPERTIES

Rated Voltage : 120VAC 60Hz
 Rated Power : 108 Watts
 Operating Temperature : -8 to + 65 °C
 Approval : UL/CUR/CE
 Air Flow : 640 CFM
 Static Pressure : 0.34 Inch-H2O
 Maximal Height : 16 feet
 Air speed : 885 Feet per minute at 12 inch

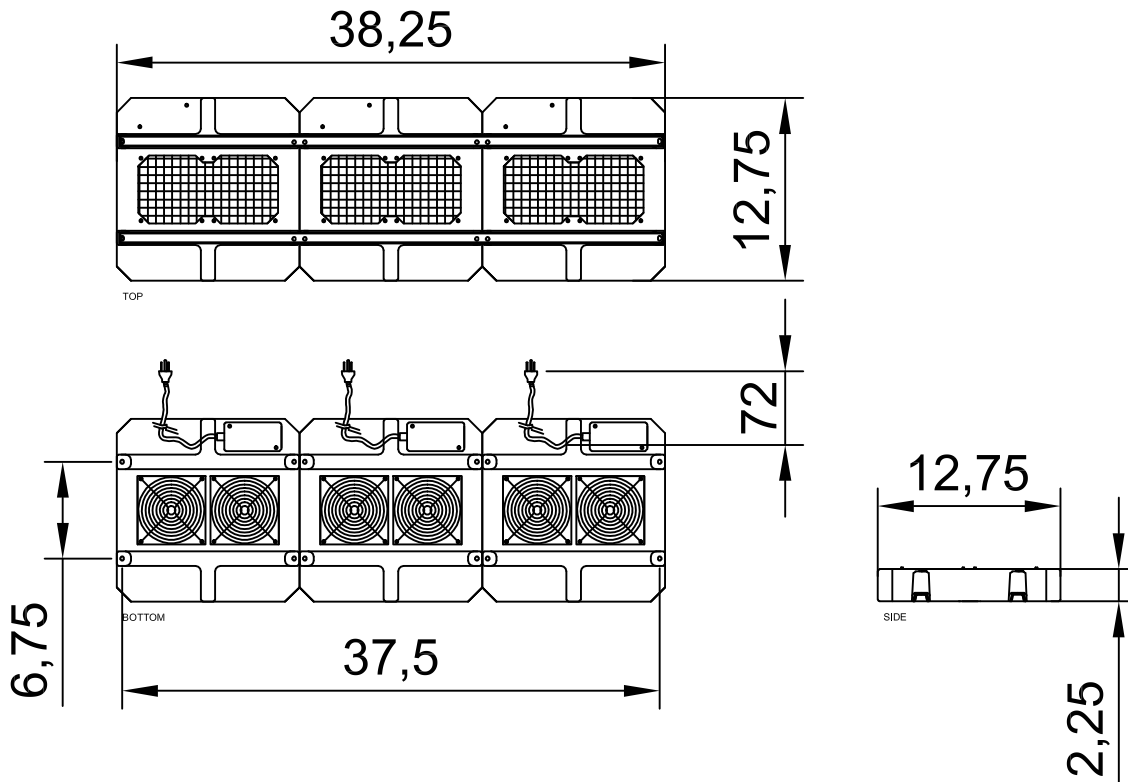


HOUSING

Fire retardant plastic – Black Color

WARRANTY

5 years full manufacturer replacement
 from date of the purchase



Conforms to UL 507
 Certify to CSA C22.2 no 113

NOTE: ALL DIMENSIONS SHOWN ARE IN INCH

NOTES	QTY.	DETAILS
		DATE:
		PROJECT:
		LOCATION:
		CONTRACTOR:
		OTHERS: